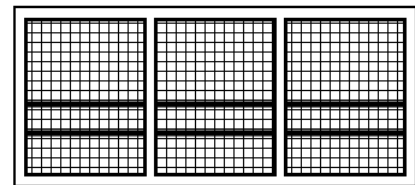


# Rollaround



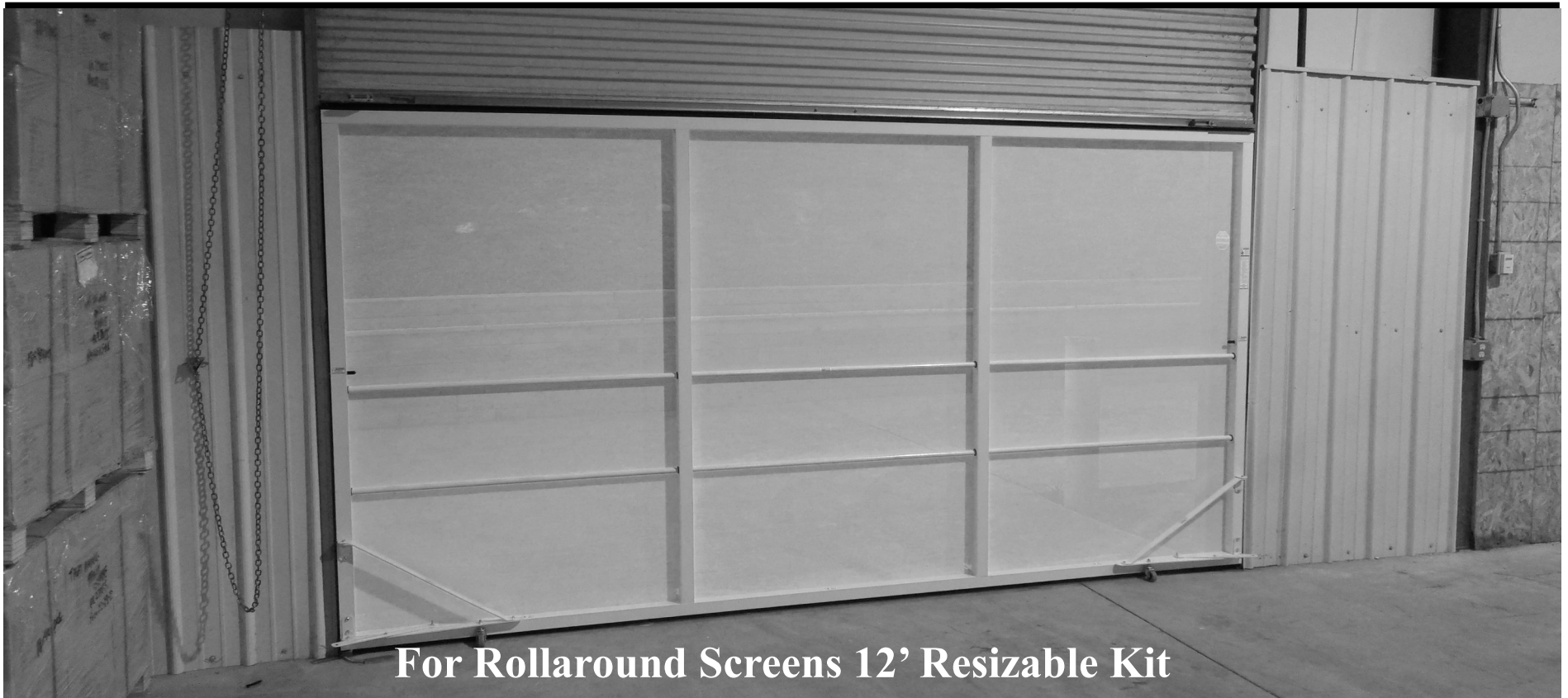
# Screens

**Tech Support 678-926-9700**

For installation instructions & videos:

**[www.RollaroundScreens.com](http://www.RollaroundScreens.com)**

## Installation Manual - Owners Manual



**For Rollaround Screens 12' Resizable Kit**

### **WARNING: IMPORTANT SAFETY INFORMATION**

Read all instructions and the following safety information carefully prior to installation and use. Failure to do so may result in serious injury or death.

Do not install this screen wall product if your warehouse sheet door is equipped with an electric operator that will not allow your sheet door to come to a stop, resting on the top horizontal rail of the product. Failure to comply with these directions may result in serious injury or death and damage to your Rollaround screen, sheet door or other property.

Moving the screen wall product can cause damage, serious injury or death. Keep people, animals, and fragile material clear of the warehouse door opening when operating the screen.

A screen wall is a large heavy object and can cause serious injury or death. Your safety, the safety of others and the proper operation of the screen wall depend on you doing the following:

- Before mobilizing the screen wall, ensure that the area is free and clear of people, pets, debris, and other obstructions.
- When in use, always have the screen wall securely fastened in the warehouse door opening with the locking pins.
- When not in use, the screen wall should be safely secured or anchored to a stationary, fixed, sturdy object.
- Never use the screen wall in excessively windy conditions.
- On a daily basis, inspect the 1"x1" angle utilized to prevent the screen wall from passing thru the daylight opening of the warehouse doorway to ensure that it is not bent or damaged in any way that may allow the screen wall to pass thru the daylight opening.
- Inspect the casters on which the screen wall rolls frequently to ensure that they rotate freely.
- The cantilevered outriggers of the screen wall should always be locked in the extended position, utilizing the locking arm, when the screen wall is being moved.
- Never allow people to ride, stand, climb or hang on any part of the screen wall.
- Do not alter the screen wall in any manner whatsoever.
- Do not hang any items on, to, or from the screen wall
- If the screen wall is being used with a motorized overhead sheet door system, always place the primary overhead door in the proper position before moving the screen wall into place or removing the screen wall from the in-use position to its stored position.
- Never allow children to operate the screen wall system.
- Check fasteners frequently to ensure that there are no loose or missing hardware.
- If the screen wall is damaged, remove it from use immediately.
- Repairs and adjustments of the screen should be performed exclusively by a trained professional.

Do not cover over or paint over any warning signs and decals found on the screen wall.

### **Before assembling the Rollaround Screens warehouse door screen**

- Verify that the Rollaround unit will fit into your warehouse door opening. Measure the daylight opening of your warehouse door and the track-to-track distance between which the Rollaround will be inserted. The track-to-track distance should be at most 1/2" longer than the length of the horizontal frame member in the Rollaround kit. The Recessed-Mount Rollaround Kit contains 145 1/4" long horizontal frame members. The Flush-Mount Rollaround Kit contains 143 1/2" long horizontal frame members.
- If your rolling sheet door is electrically operated, ensure that it will stop and remain resting in a position that is approximately half-way open. This is to ensure that you will be able to bring the bottom seal of the rolling sheet door to rest on the top seal of the Rollaround screen when the Rollaround screen is secured between the tracks of the rolling sheet door.

### **TOOLS REQUIRED FOR ASSEMBLY**

- Safety Glasses or Goggles
- \*\*Cordless Drill with 3/8", 7/16" and 9/16" Drill Bits (see notes below)
- 1/4" Hex Drive Bit
- Socket Sizes: 3/8", 7/16", 9/16"
- Wrench Sizes: 3/8", 7/16", 9/16" or adjustable
- Hammer or Rubber Mallet
- 4 Saw Horses
- Utility Knife
- Spline Insertion Tool
- Tape Measure
- Electric Circular Chop Saw (only if re-sizing the kit)
- \*\*\* Advanced Screenworks Screen Clips (Optional)

**Notes: \*\* Some drilling of the track members may be required or if you will be re-sizing the kit.**

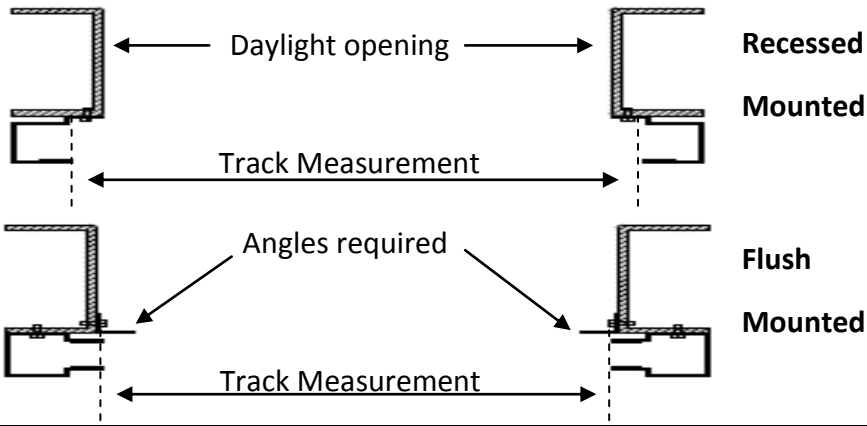
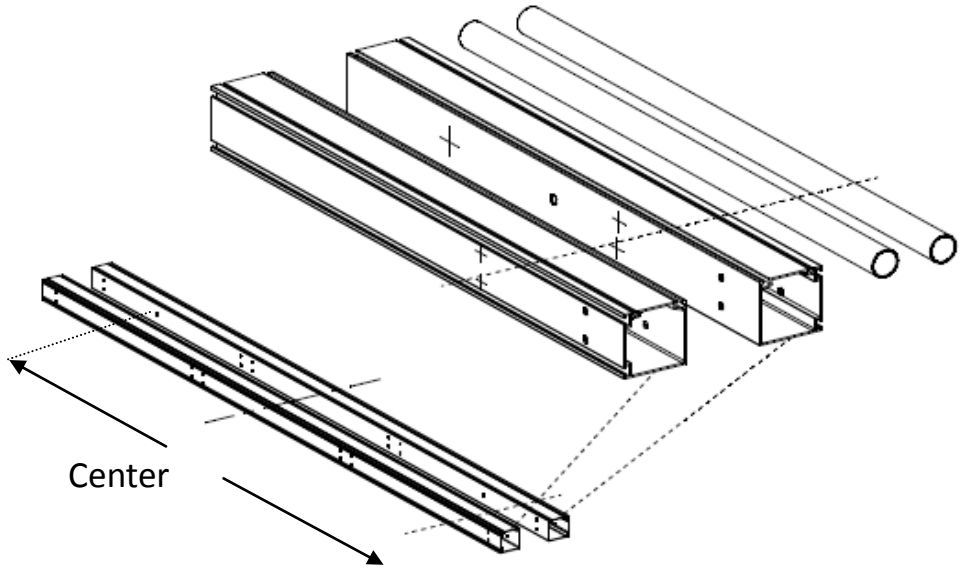
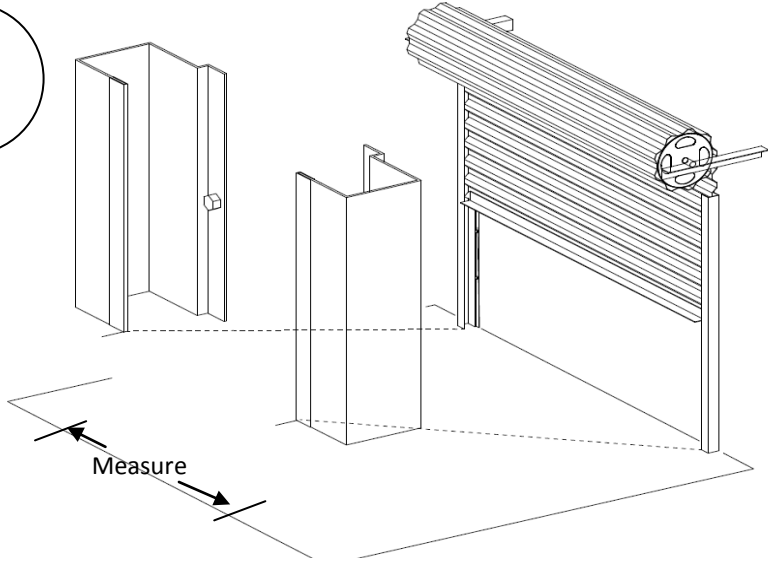
**\*\*\* Advanced Screenworks Screen Clips simplifies the task of splining the screen fabric into the spline grooves on the frame.**

## KIT CONTENTS

| <b>FRAME BOX</b>               |      |   |
|--------------------------------|------|---|
| Item #                         | Qty. | Description                                       |
| 1                              | 2    | Frame Horizontals                                 |
| 2                              | 2    | Center Frame Verticals (2 spline grooves)         |
| 3                              | 2    | Outer Frame Verticals (with Brush Seal installed) |
| Pre-Installed on Frame Members |      |   |
| 4                              | 2    | Brush Seal  |
| 5                              | 12   | PVC Snap-in Bushing                               |
| 6                              | 4    | Iglide Clip Bearing                               |
| 7                              | 12   | 1/4"-20 Rivet Nut                                 |
| 8                              | 12   | 3/8" Rivet Nut Washer                             |
| 9                              | 1    | Safety Warning Sticker                            |
| <b>HARDWARE BAG</b>            |      |   |
| 10                             | 2    | Lockpin   |
| 11                             | 1    | Safety Decals                                     |
| 12                             | 2    | 3/8"x3/4"L Front Casters Plastic Cap              |
| 13                             | 2    | Lock Pin Cap (7/16"x 1"L Rubber cap)              |
| 14                             | 2    | 1/4"x3/8"L Outrigger/Frame 3" Screw Plastic Cap   |
| 15                             | 4    | 3/8-16 Serrated Flanged Nuts                      |
| 16                             | 24   | #10 x 4" Screws                                   |
| 17                             | 20   | 1/4"-20 x 3/4" Flanged Bolt Z 5                   |
| 18                             | 2    | 1/4"-20 x 3" Z 5 HCS Bolts                        |
| 19                             | 10   | 1/4"-20 Nylock Z Locking nuts                     |
| 20                             | 8    | 1/4" ID Nylon Washer FW                           |
| 21                             | 4    | 2" Square Black End Caps                          |
| 22                             | 4    | 2" Kiss Cut Weather Strip                         |
| 23                             | 2    | 7/16" Pushnuts                                    |
| 24                             | 4    | 3/8"OD White Dots                                 |
| 25                             | 10   | #12-14 x 3/4 TEK Screws                           |

| <b>RAILS SUB-BOX</b>             |      |  |
|----------------------------------|------|--|
| Item #                           | Qty. | Description                            |
| 26                               | 6    | Handrails                              |
| <b>OUTRIGGER SUB-BOX</b>         |      |  |
| 27                               | 2    | Bottom Pivot Arm                       |
| 28                               | 2    | Locking Arm                            |
| 29                               | 2    | Top Pivot Arm                          |
| <b>FITTINGS SUB-BOX</b>          |      |  |
| 30                               | 2    | 2" Casters                             |
| 31                               | 2    | 3" Casters                             |
| 32                               | 4    | Pivot Arm Brackets                     |
| 33                               | 2    | Front Wheels Brackets                  |
| 34                               | 1    | Top Door Seal                          |
| 35                               | 1    | Spline                                 |
| 36                               | 1    | Bottom Door Seal                       |
| <b>SCREEN &amp; HARDWARE BOX</b> |      |  |
| 37                               | 1    | Hardware Bag                           |
| 38                               | 1    | Rails Sub-Box                          |
| 39                               | 1    | Outrigger Sub-Box                      |
| 40                               | 1    | Fittings Sub-Box                       |
| 41                               | 1    | Screen Fabric                          |
| 42                               | 1    | 7' Tube                                |
| 43                               | 2    | 7' Sticks of 1"x1" Angle 0.50 gauge AL |
| 44                               | 1    | Installation Manual                    |

1

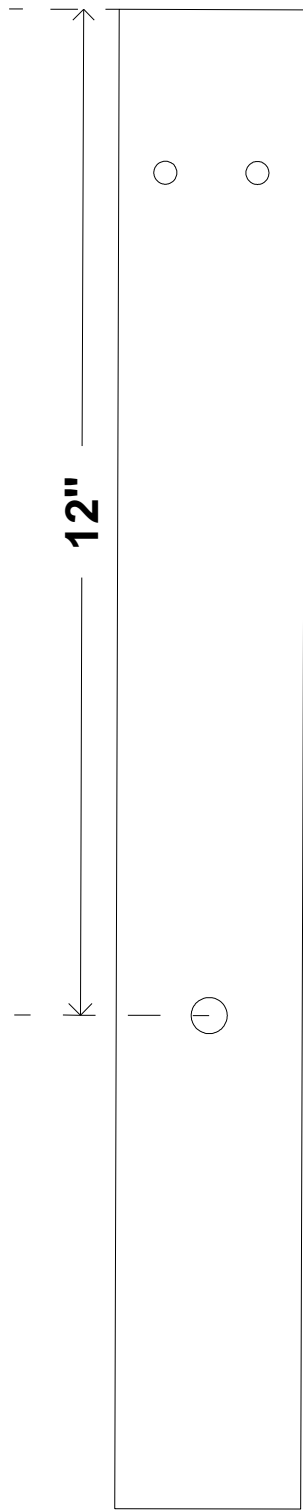
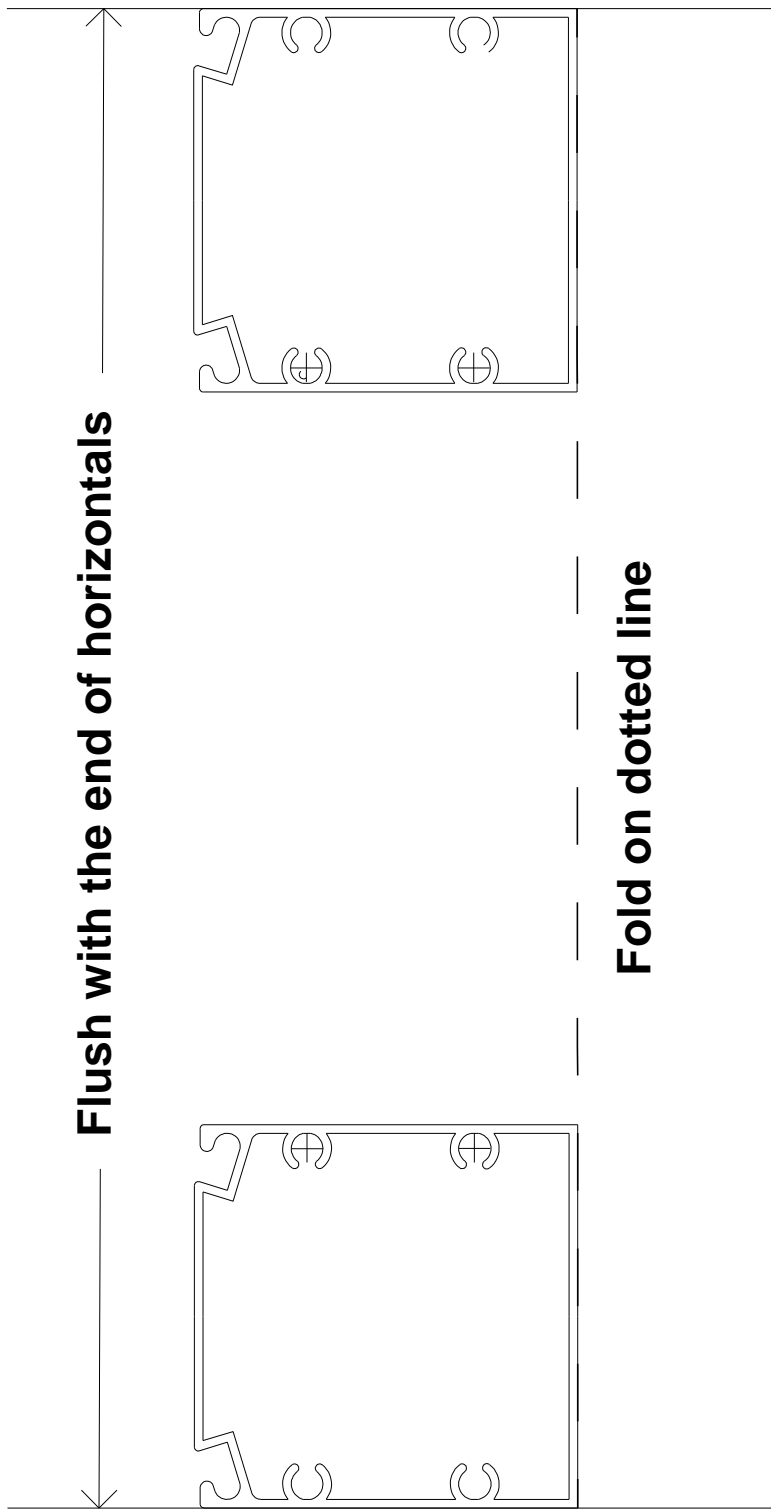
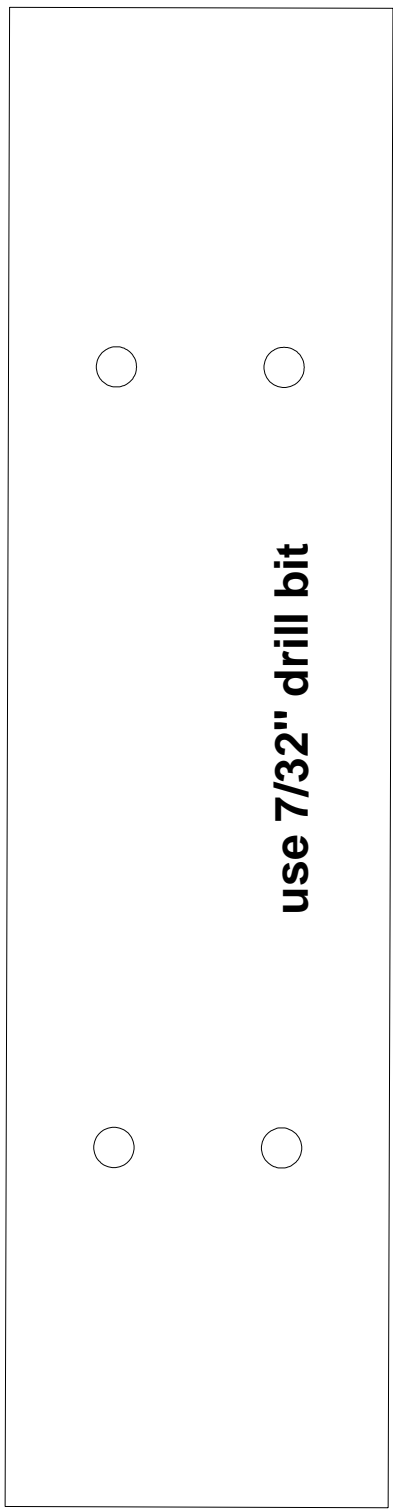


Your rolling sheet door will either be Recessed or Flush mounted. The Rollaround Unit you purchased will be either a Recessed Mount Kit or a Flush Mount Kit.

1. Measure the distance from one track to the other track as shown above. To get the working Track Measurement, deduct 1/2" from this measurement for the clearances required.
2. For **flush** track doors. use 3/4" TEK screws to install the 1"x 1" angle to the inside edge of daylight opening as shown above.

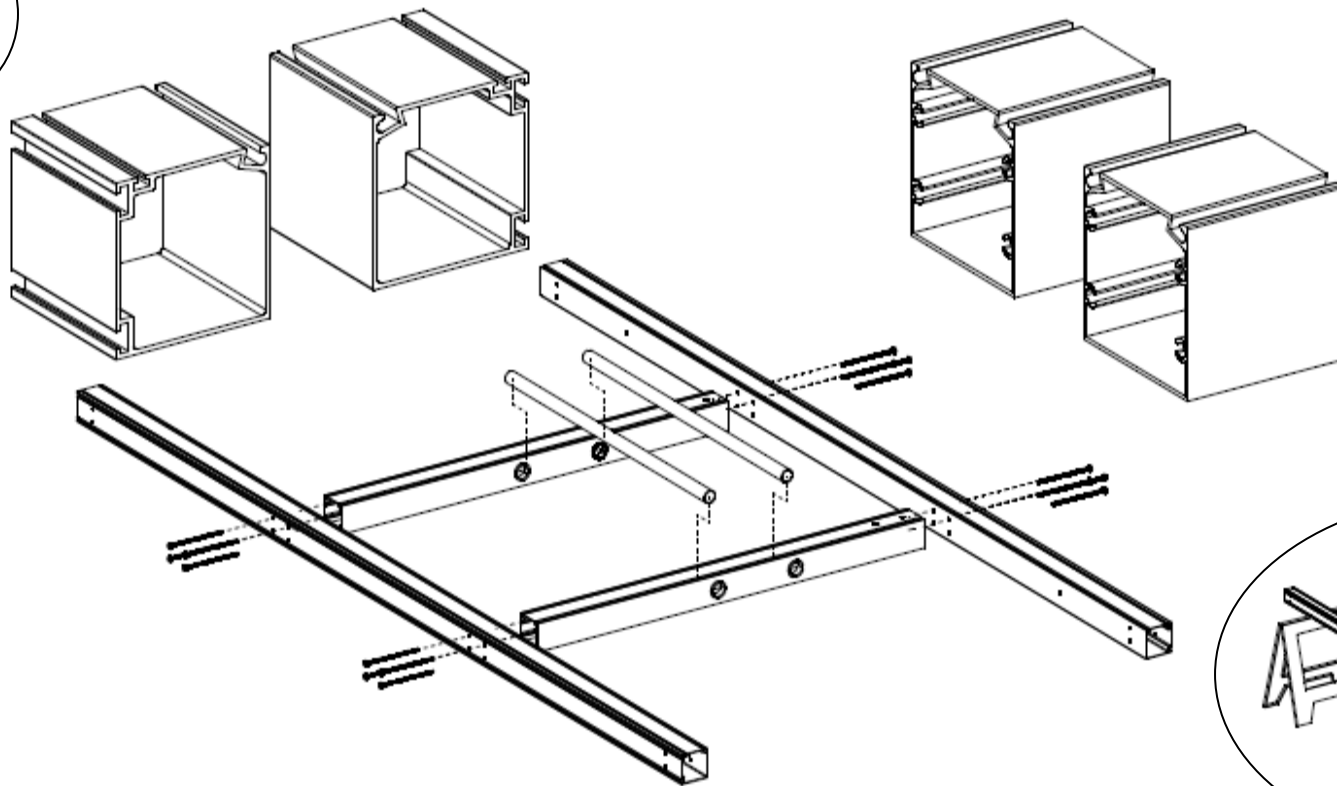
PERFORM THIS STEP ONLY IF YOU NEED TO CUT DOWN THE UNIT:

- A. If the recessed mount Track Measurement is less than 145 1/4" or if the flush mount Track Measurement is less than 143 1/2, you will need to cut down the unit to fit between the tracks.
- B. From each end of the 2 horizontals, using a chop saw, remove 1/2 of the excess length by which the horizontal frame member is longer than the Track Measurement.
- C. From ONLY ONE END of FOUR of the safety handrails, remove the same excess using a chop saw. DO NOT CUT 2 OF THE HANDRAILS.
- D. Cover the 2 through-and-through bolt holes found on the lower horizontal using the white dots. Re-drill the 2 through-and-through bolt holes centered on the lower horizontal 12 inches from each end and re-drill the 2 through-and-through screw holes at each end of both horizontals using the templates on the following page.



**Measure 12" from each end of bottom horizontal and drill a 1/4" hole on the same sides that the center vertical holes are on, this will allow for the relocation of the locking arm.**

2



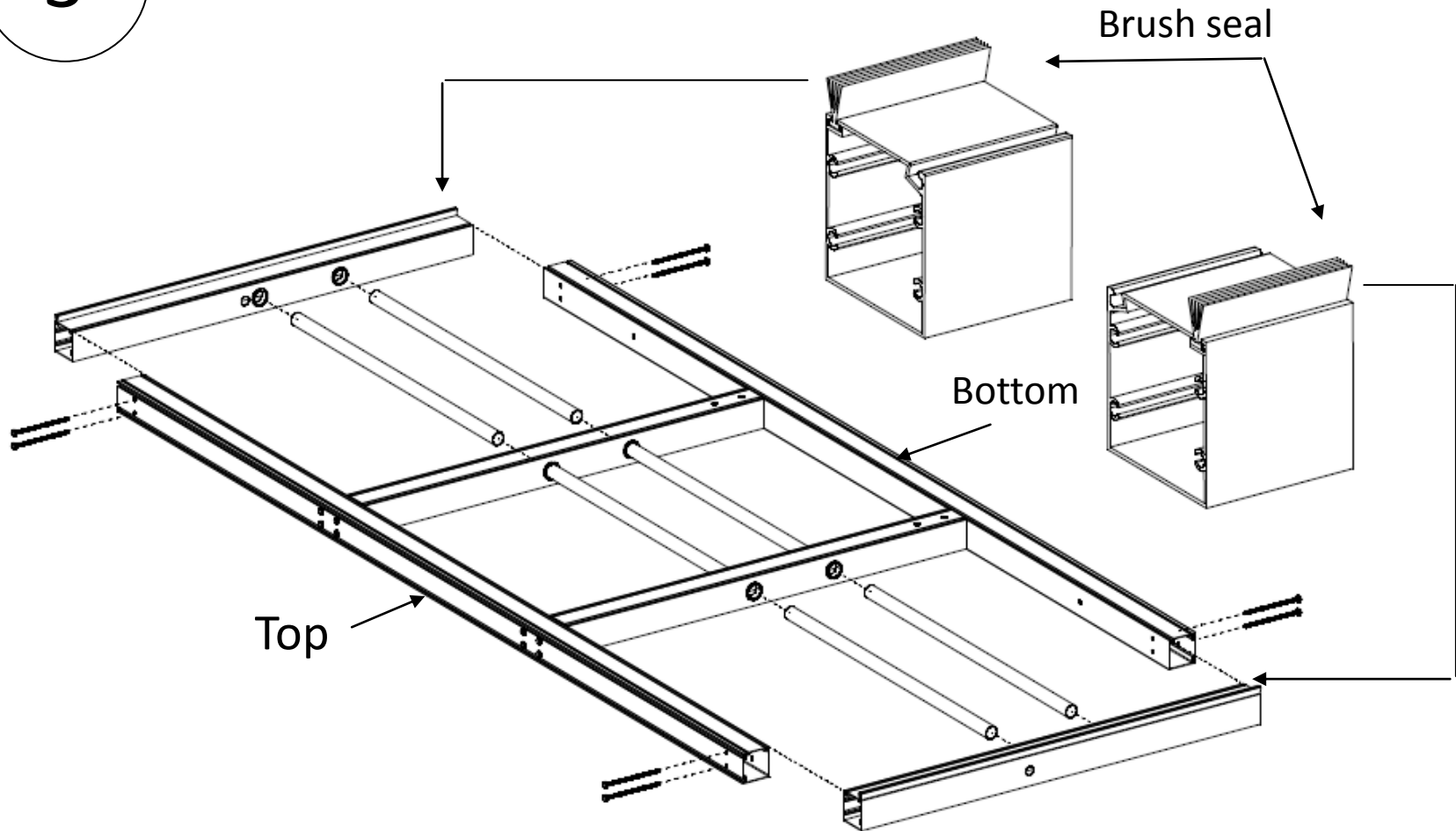
Four saw horses are highly recommended when assembling the Rollaround screen frame (see use in insert circle above).

1. Arrange the extrusions as shown above. Pay close attention to the hole positioning on the extrusions. The center verticals are the ones without brush seals. The bottom horizontal has 2 through and through holes 12" from each end. The end of the center verticals with the rivet nuts should be attached to the bottom horizontal with the rivet nuts in close proximity to, and facing in the same direction as the spline grooves on the bottom horizontal

2. Insert two safety rails into the bushings on the center vertical frame members.

3. Fasten the four frame members together with 16 of the 4" screws using a 1/4" magnetized nut driver.

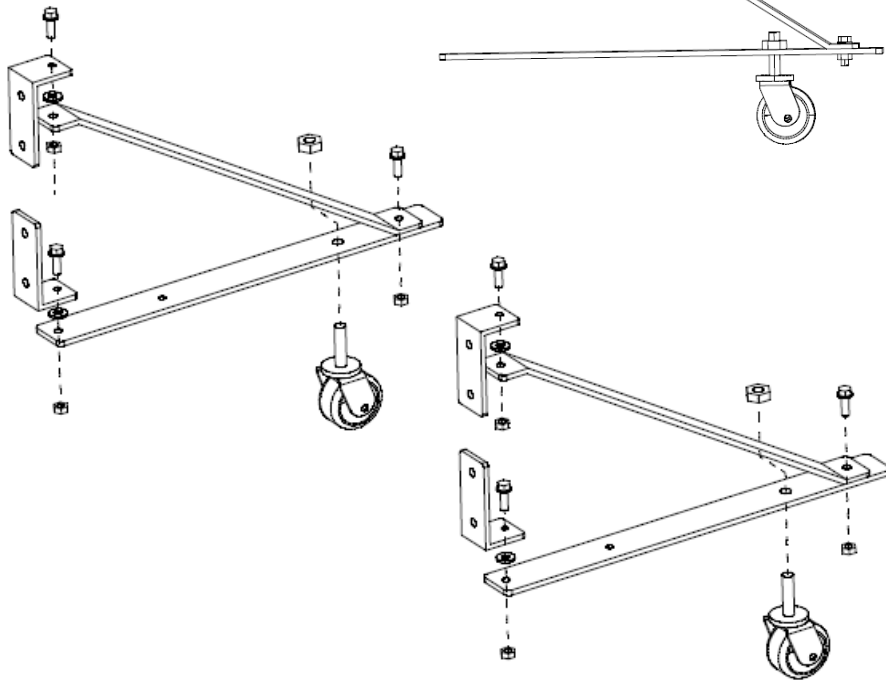
3



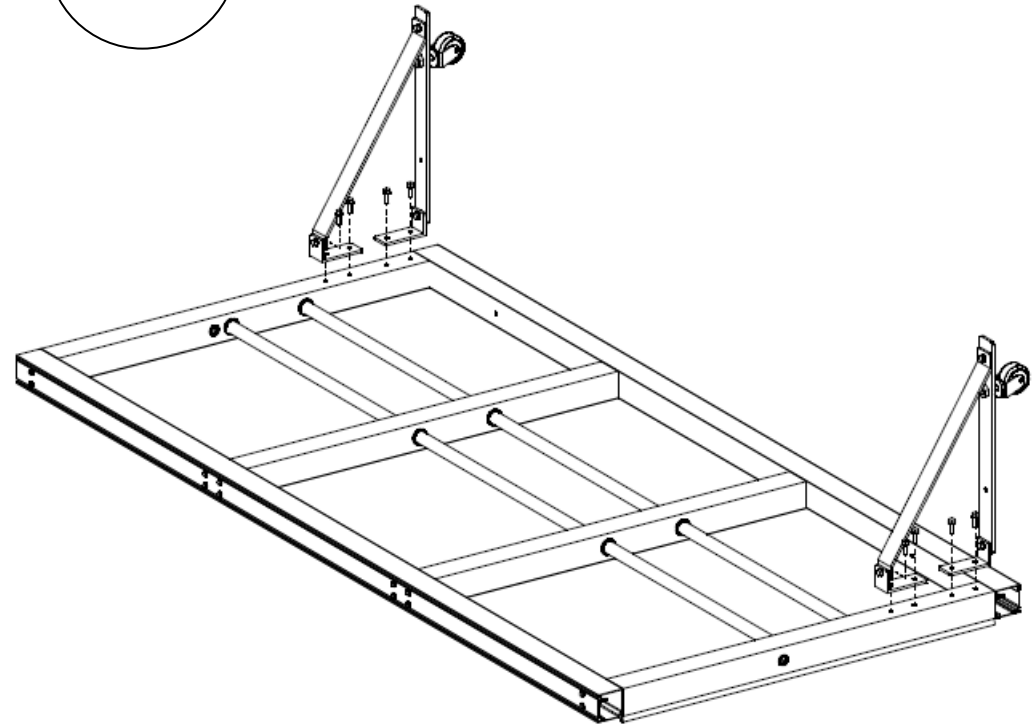
1. On one side of the frame, insert 2 safety rails into the bushings on the center vertical and one of the outer verticals.
2. Arrange the outer vertical making sure the brush seal is on the extreme outer edge of the frame as shown above.
3. Fasten the outer vertical frame member to the horizontals with 4 - 4" screws using a 1/4" magnetized driver.
4. Repeat on the other side of the frame.



4



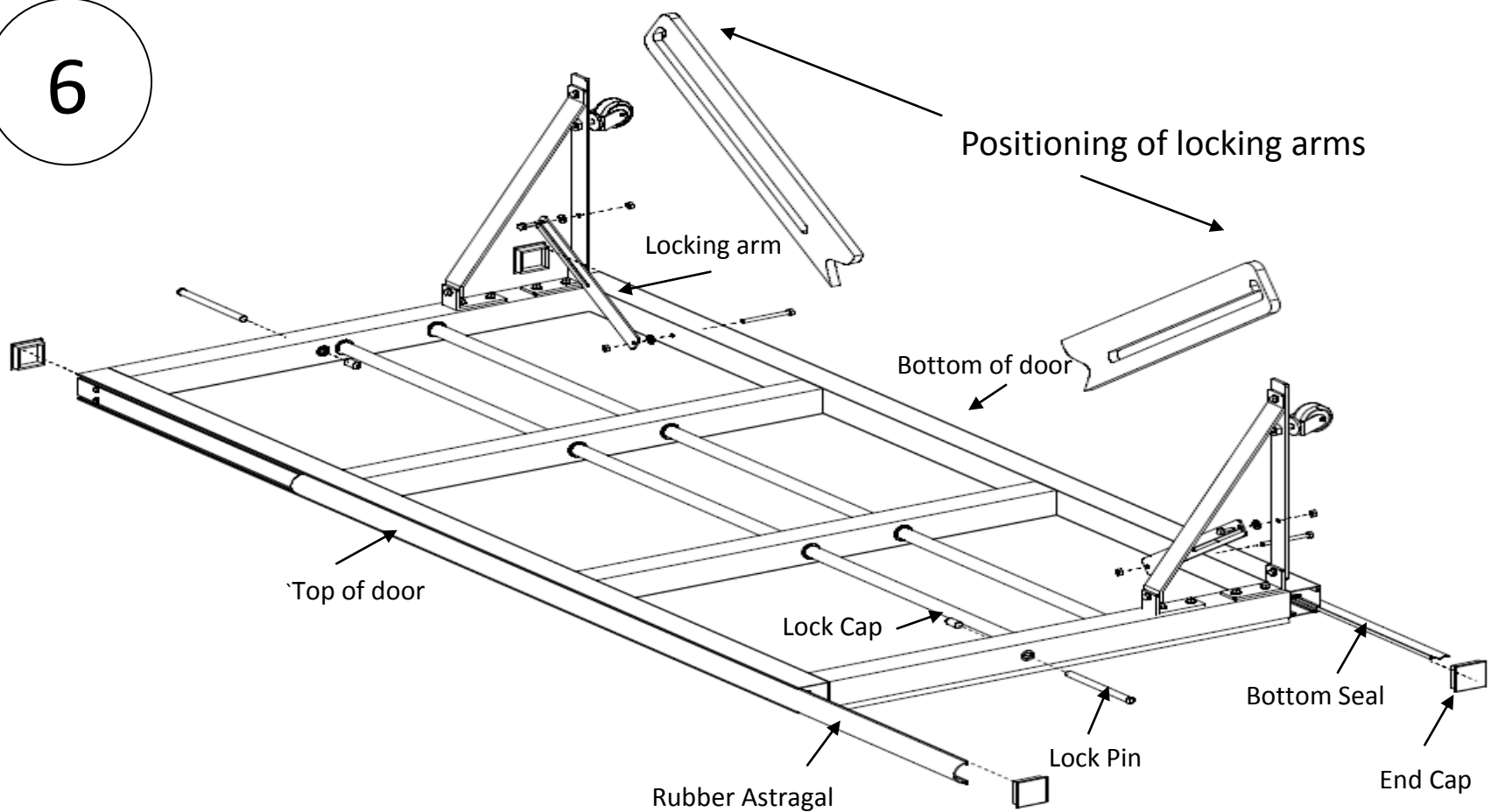
5



1. Assemble pivot arms using 6- flange head 1/4''-20x3/4'' bolts and 1/4'' self locking nuts. Place one nylon washer between the surfaces of the pivot arms and the pivot arms and the pivot brackets.
2. Install the 2'' wheel caster into the threaded hole in the pivot arm using half of the 1-1/2'' threads available on wheel stem and install 3/8'' flange nut and tighten.

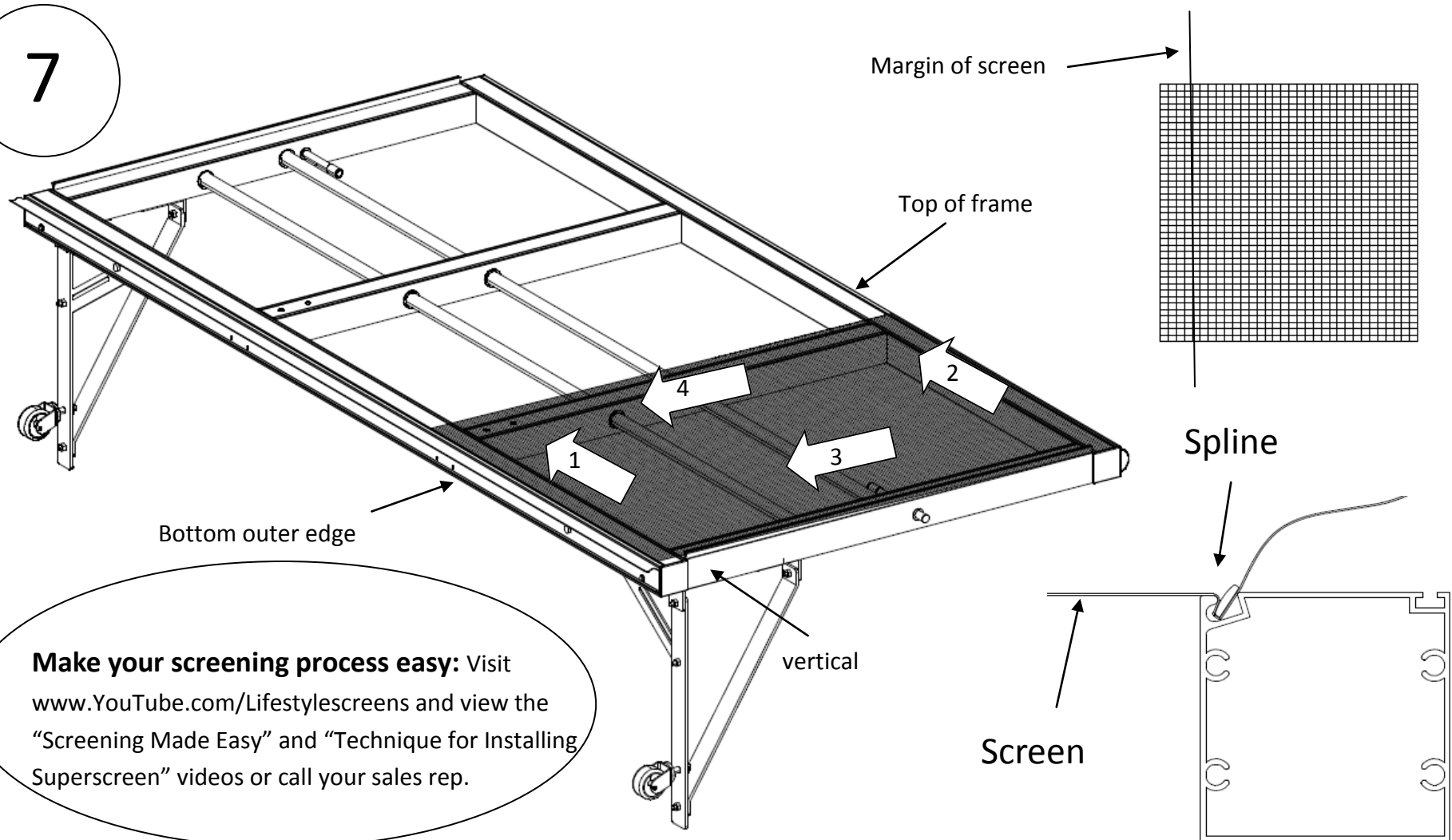
1. Install the assembled pivot brackets on the back side of frame with 8 - 1/4-20 x3/4'' flanged head bolts directly into the rivet nuts that are pre-installed on the vertical frame members

6



1. Install pivot locking arms with 3" bolts on the bottom horizontal and 3/4" bolts on the lower pivot arm and 1/4" locking nuts. A nylon washer must be placed between the pivot points shown above. Do not over-tighten these nuts. **(Just snug these bolts and then back off one 1/4 turn.)**
2. Install the 1-3/4" rubber bottom seal flap along into the front T-slot of the bottom horizontal.
3. Install the rubber astragal on the top of the door using both of the T-slots on the top horizontal.
4. Cap the ends of frame with 4 - 2"x2" black plastic end caps.
5. Install the 2 lock pins with the flange end of the lock pin on outside of frame and slip on rubber lock cap on the other end of the lock pin on the inside of the outer vertical frame member.

7

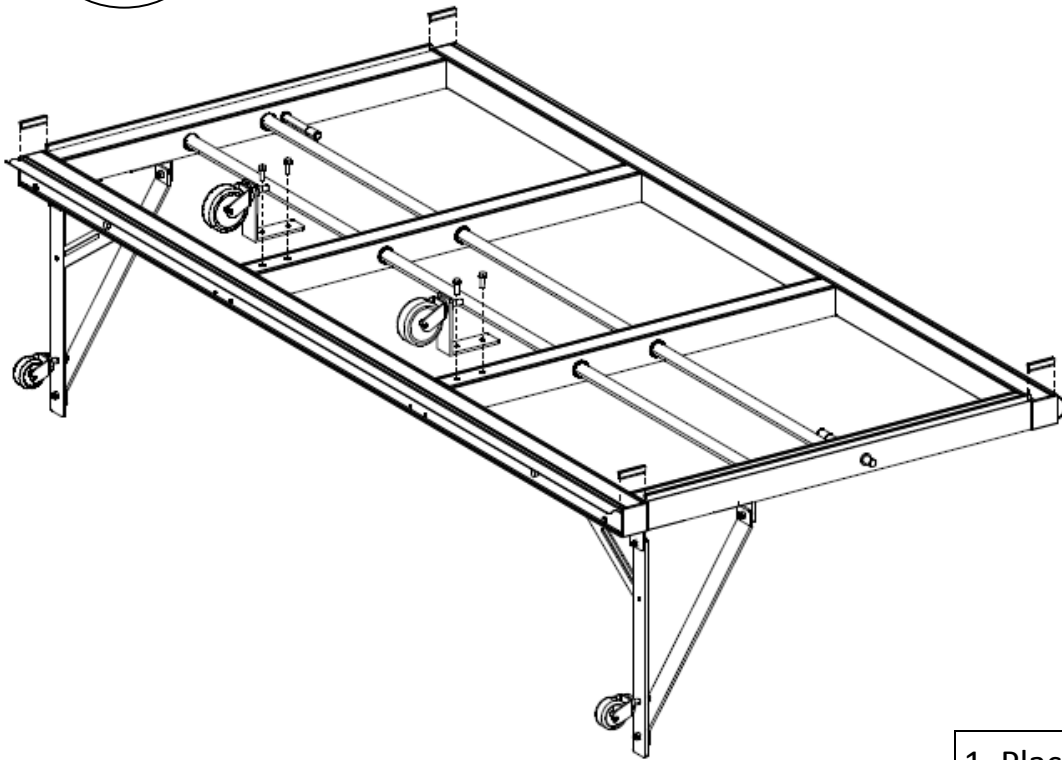


**Make your screening process easy:** Visit [www.YouTube.com/Lifestylescreens](http://www.YouTube.com/Lifestylescreens) and view the "Screening Made Easy" and "Technique for Installing Superscreen" videos or call your sales rep.

Position the screen mesh so that it is flush with the bottom outer edge of frame and flush with the vertical, then insert spline into spline groove as shown above. Then begin rolling the screen from right to left working in 6" intervals making sure the screen stays flush with the bottom frame member (See Arrow 1 above). Pull the other end of screen toward the top of frame making sure the margin of the screen is parallel with the vertical frame member, then roll the spline again from right to left working in 6" intervals (See Arrow 2 above) while keeping the screen taut. Repeat these steps as shown by Arrow 3 and Arrow 4 above. Rolling each from top to bottom in turn. Repeat these steps for the other 2 screen bays.

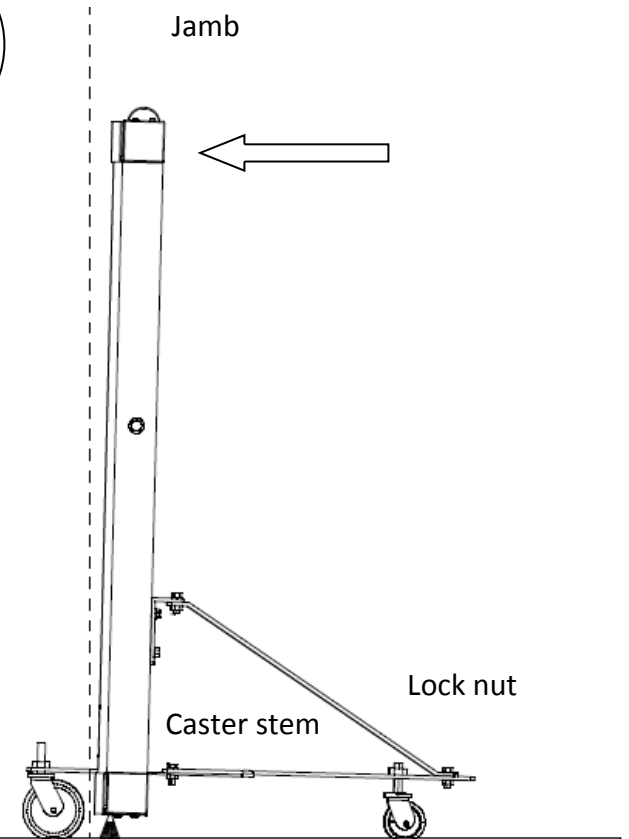
ALTERNATIVELY, you may screen the entire frame as a single screen bay by splining the screen fabric only to the 4 spline grooves that are along the periphery of the frame. This is the preferred method if you have printed your company name, logo, or message onto the screen fabric.

8



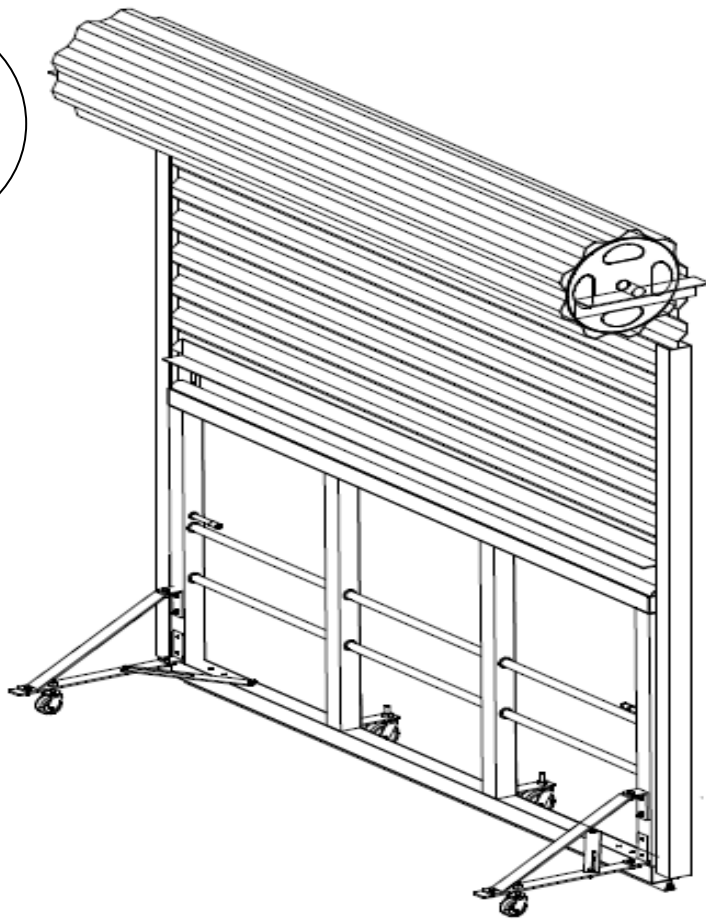
1. Assemble 3" caster wheels to 4"x 4" wheel brackets with the 3/8" flange nut.
2. On the front of the unit, attach this wheel assembly to the rivet nuts on the center verticals using 4 - 1/4"-20 x 3/4" flange head bolts.
3. Apply the 4 - 2" 3-M brush seal flush with the end of the horizontal frame members.

9

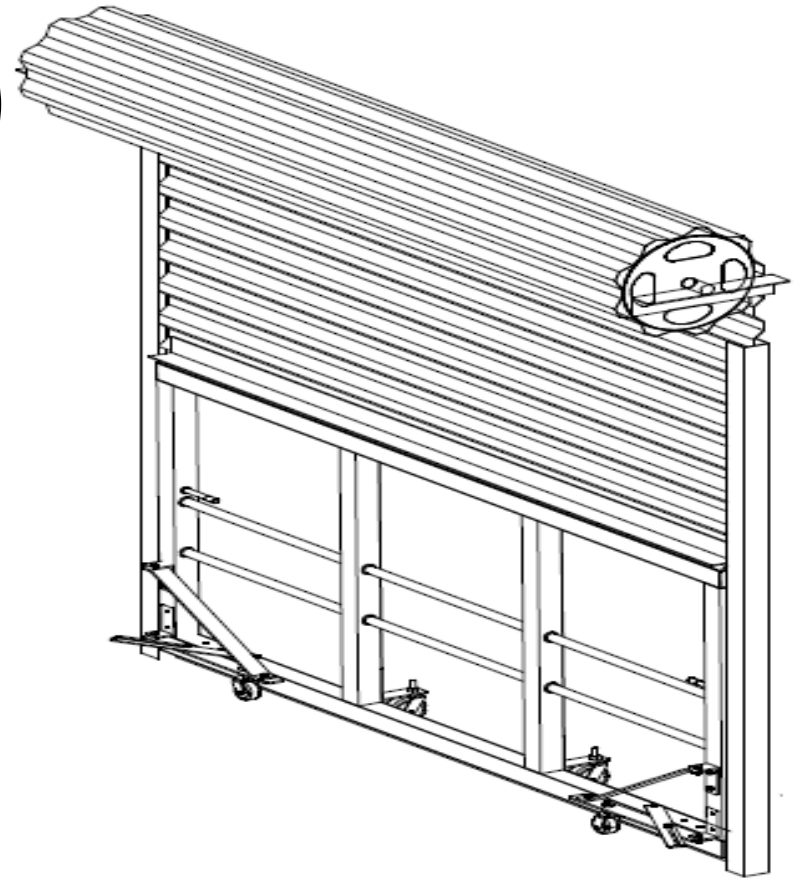


1. Place the unit in the upright position with the wheeled cantilevers in the open position. Gently kick the locking arm so that the locking groove slips around the locking bolt to hold the pivot arms in place. Slide the locking pins to the open position.
2. If the frame is not parallel with the jamb, adjust the 2" caster stem on the bottom pivot arm so that the frame is vertically parallel with the jamb. When this adjustment is achieved tighten the lock nut.
3. Verify that all nuts, bolts, and screws are securely fastened.

10



11



1. Roll the door between the tracks until brush seal is against the jamb or angle and push the lock pins into the tracks to lock the Rollaround unit in place.

2. To utilize a padlock on the lockpin, remove the end cap, insert a 7/16" pushnut 1" down the lockpin then slip the end cap back on. Drill a hole vertically through the uncapped end of the lockpin to accommodate the padlock and drill a 1/2" hole through the track to receive the uncapped end of the lockpin. Pass the lockpin through the hole and use the padlock to lock. Repeat for the 2nd lockpin.

1. Lower the rolling sheet door down onto the top of the Rollaround screen unit until the door seal engages with the top seal astragal of the Rollaround frame then secure pull chain into place. Gently kick the locking arm so that the locking groove disengages from the bolt. Slide the pivot arms towards the interior of the bottom horizontal to the folded-in position.

2. Install the safety decals: 3 Do Not Step decals on the bottom horizontal, 2 Lock Warnings on the inside face of the outer verticals proximate the lockpins, 2 Outrigger warnings on the top face of the top pivot arms.

**FINAL CHECKS:**

Ensure that all nuts and bolts are completely tightened and securely fastened. Ensure that warning decals are properly placed on the Rollaround screen frame.

Ensure that all safety stickers and warnings are properly installed on to the Rollaround unit frame.

Check the permanent rolling sheet door to make sure it is operating as it should. If you drilled a hole in the track of the rolling sheet door verify that the rolling sheet door operates normally. **Important: Please refer to rolling sheet door instruction manual for all adjustment parameters, if you need to make an adjustment. Do not exceed the rolling sheet door manufacturer's recommendations for safe adjustment of the rolling sheet door. Any adjustment of the rolling sheet door must comply with the manufacturer's recommendations. Failure to do so may result in serious injury or death.**

**WARNING: IMPROPER ADJUSTMENT OF THE FORCE SENSITIVITY SYSTEM COULD CAUSE ENTRAPMENT, INJURY OR DEATH. SET ADJUSTMENTS FOR ENOUGH FORCE TO OPERATE DOOR RELIABLY, BUT NO STRONGER. CONTACT A SERVICE PROFESSIONAL TO CORECT ANY BINDING, STICKING OR OTHER ROLLING SHEET DOOR PROBLEMS. DO NOT OVER-ADJUST SENSITIVITY SYSTEM TO COMPENSATE FOR A POORLY WORKING ROLLING SHEET DOOR.**

## LIMITED WARRANTY

Advanced Screenworks, LLC (“ASW” or “we”) warrants to the original consumer purchaser (“you” or “your”) that each new Rollaround Screens product (the “Product”) will be free from defects in material and workmanship for a period of one year from the date of your purchase. The start of the warranty period is the documented date of your purchase of the Product. The warranty herein is made solely to and for your benefit and is non-transferable. The warranty period on a repaired or replaced Product is the remainder of the warranty on the original purchased Product or 30 days, whichever is longer.

The warranty is solely limited to parts. ASW does not warranty the workmanship of your installer of the product.

If you discover a defect in material during the warranty period and ASW agrees that the defect exists, ASW will, at its sole option, provide you at no cost to you with replacement parts for the defective parts. ASW may require proper proof of purchase documentation prior to issuing you a replacement part or Product. We recommend that you visit the Rollaround Screens website warranty registration page, <http://www.LifestyleScreens.com/warranty-registration.html> to register your Product or fill in the information required on the accompanying registration form and mail to Advanced Screenworks, LLC, Warranty Registration, 955 Patrick Industrial Ct., Winder GA 30680 or e-mail to [warranty@advancedscreenworks.com](mailto:warranty@advancedscreenworks.com).

To request warranty part replacement, please contact us at (678) 926-9700 or e-mail [fax@advancedscreenworks.com](mailto:fax@advancedscreenworks.com)

This warranty does not cover any of the following items or conditions:

- Abuse, unreasonable use, improper use, mistreatment or neglect;
- Modification of the original product to achieve functionality other than the intended use;
- Installation performed improperly or by an unauthorized party;
- Ordinary wear and tear including, without limitation, discoloration due to the elements and/or UV radiation;
- Damage or wear to the screen mesh or screen material;
- Damage caused by or to the equipment with which the Product is used;
- Damage caused by improper or faulty building construction or maintenance;
- Any damage caused during installation, maintenance, repair, replacement or removal;
- Damage caused by modification or repair not made or authorized by ASW; and
- Services provided by third-parties other than ASW including, without limitation, service calls, shipping and labor costs.

THIS WARRANTY, TOGETHER WITH THE REMEDIES SET FORTH ABOVE, IS EXCLUSIVE, NON-TRANSFERABLE AND IN LIEU OF ALL OTHERS, WHETHER ORAL OR WRITTEN, EXPRESSED OR IMPLIED. ASW SPECIFICALLY DISCLAIMS ANY AND ALL IMPLIED WARRANTIES AS TO THE PRODUCT. IN PARTICULAR, BUT WITHOUT LIMITATION, ASW SPECIFICALLY DISCLAIMS ANY AND ALL IMPLIED WARRANTIES AND CONDITIONS OF SATISFACTORY QUALITY, MERCHANTABILITY, FITNESS FOR ANY PARTICULAR PURPOSE OR ANY OTHER WARRANTY ARISING FROM A COURSE OF DEALING OR USAGE OF TRADE.

No ASW distributor, reseller, dealer, agent or employee is authorized to make any modification, extension, or addition to this warranty.

ASW is not responsible for special, incidental, indirect, exemplary, punitive, or consequential damages however caused and whether or not ASW was advised of the possibility of such damages, including but not limited to lost wages, lost profits, downtime, pain and suffering or damage to or replacement of equipment and property and any costs of recovery.

This warranty gives you specific legal rights. You may also have other rights which vary from state to state. Some jurisdictions do not allow the exclusion or limitation of incidental or consequential damages or exclusions of implied warranties, so the above limitations or exclusions may not apply to you.

**ROLLAROUND SCREENS  
WARRANTY REGISTRATION**

Rollaround Screens by Advanced Screenworks, LLC recommends that you register your Rollaround Screens product. You can do this online or by mail.

Online Registration: <http://www.LifestyleScreens.com/Warranty-Registration.html>

MAIL TO: Advanced Screenworks, LLC or e-mail to: [Warranty@AdvancedScreenworks.com](mailto:Warranty@AdvancedScreenworks.com)  
Warranty Registration  
955 Patrick Industrial Ct.  
Winder, GA 30680

YOUR NAME: \_\_\_\_\_

YOUR ADDRESS: \_\_\_\_\_

YOUR CITY, STATE, ZIP: \_\_\_\_\_

Your Telephone: \_\_\_\_\_

Your E-mail Address: \_\_\_\_\_

Date Purchased: \_\_\_\_\_

Installing Dealer: \_\_\_\_\_

Dealer Telephone: \_\_\_\_\_

Screen Size: (circle one): Golf Cart  
8'x7'    9'x7'    10'x7'    16'x7'    18'x7'  
8'x8'    9'x8'    10'x8'    16'x8'    18'x8'  
Rollaround  
Other

Frame Color: (circle one): White    Brownstone    Sandstone    Other

Screen Type: (circle one): Standard    White Privacy    Black Superscreen    Other

Other Comments: \_\_\_\_\_  
\_\_\_\_\_  
\_\_\_\_\_